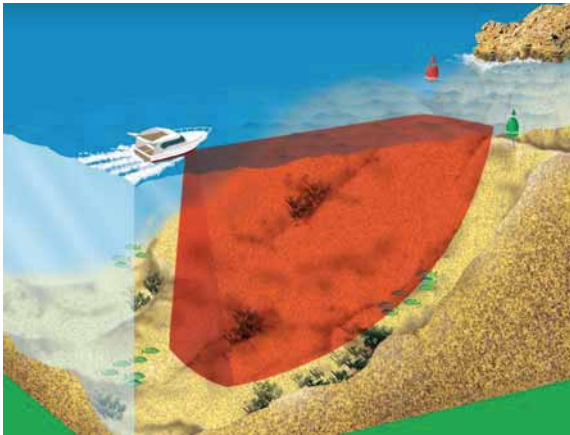


ECHOPILOT

THE SONAR PEOPLE

FLS 2D COLOUR FORWARD LOOKING SONAR

- ▶ COLOUR TRANSLUCTIVE TFT LCD
- ▶ MAX RANGE AHEAD 200M
- ▶ MAX DEPTH RANGE 100M
- ▶ DIGITAL DEPTH
- ▶ FORWARD ALARM
- ▶ OPTIONAL SWIVEL BRACKET
- ▶ MULTIPLE DISPLAY OPTIONS

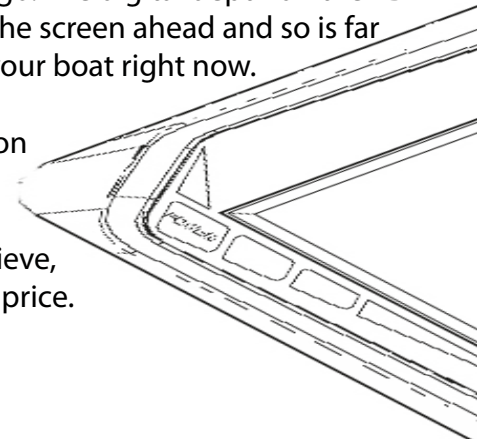


The EchoPilot FLS 2D offers all the best features of the EchoPilot forward sonar range, now displayed on a full colour trasflective TFT LCD. The display has a viewable area of 7" (18cm) diagonal.

The benefits of colour, apart from being visually more pleasing, include being able to gain much more information about the nature of the sea bed. Stronger echoes give different colours. Alternatively the colours can be set to correspond to depth. Different fields or types of information are shown in contrasting colours, enabling the navigator to assimilate information much faster.

Simple digital sounders show historical data, they may show a depth which is 10 to 15 seconds out of date and represents the seabed your boat passed over a hundred metres ago. The digital depth on the 2D is an average of the first one third of the screen ahead and so is far closer to the reality of what is under your boat right now.

The EchoPilot FLS 2D is the culmination of all the experience from 18 years of research and manufacture of forward looking sonars and is, we believe, the best sonar available regardless of price.



FLS 2D COLOUR FORWARD LOOKING SONAR

Technical specification

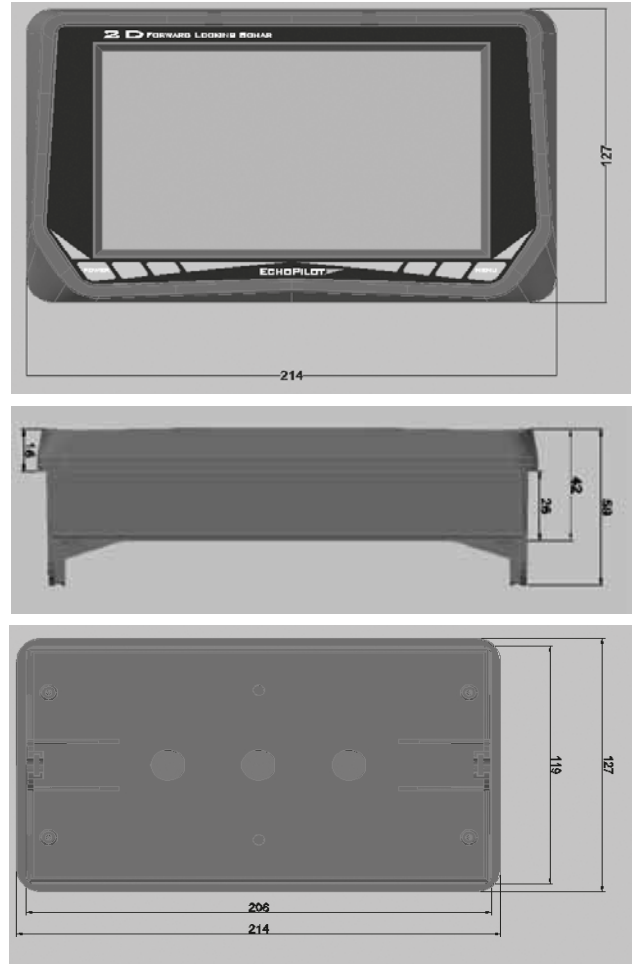
Voltage	Consumption	Frequency
12	150ma Max	200 KHz

Standard or Professional transducer?

Having chosen the EchoPilot 2D for your boat the only remaining choice is which transducer is most appropriate. Our larger professional transducer comes with a bronze 2" BSP thru-hull fitting and with 3" of useable thread is excellent for most larger boats. The standard transducer fits through a glass filled Polypropylene thru-hull with 1" of useable thread. Most flat bottomed GRP hulls can take the standard transducer.

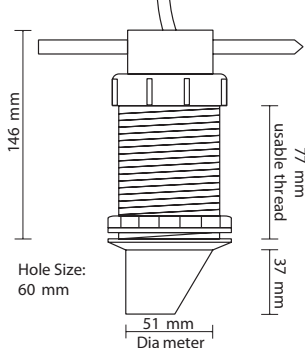
If however you have a thick hull, or a significant degree of dead rise requiring wedges or chocks to keep the transducer vertical then the professional is the choice to make

Dimensions

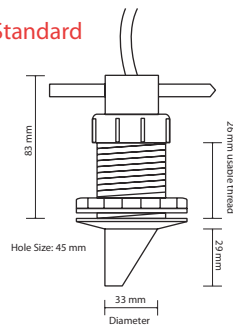


Transducers

Professional



Standard



Standard Kit

- Display
- Power Cable
- Transducer
- Thru-hull fitting & blanking cap
- Shipping weight: 4.5kg approx.
volume: 21x13x62cm
17,000cc
- White protective cover for display

Options

- Repeater display
- Mounting bracket
- Spare transducer

